



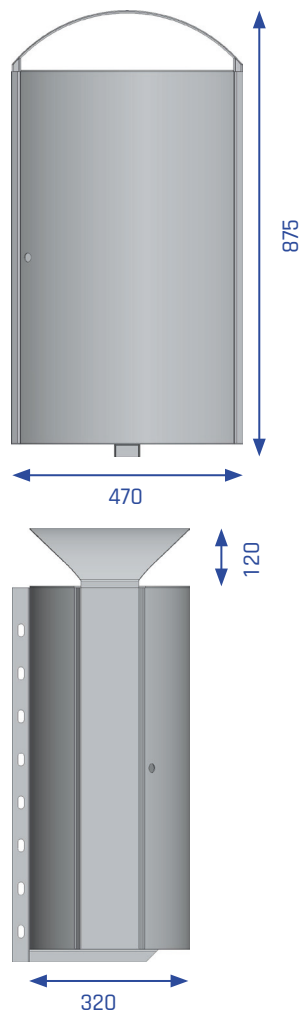
## KENDO

### Hanging bin 65111

Volume	60 Liter
Compartments	1
Casing material	galvanized steel powder-coated in DB702 incl. >Wipe, and it's gone<
Casing material thickness	2,0-3,0 mm 4 mm (cover)
Inner liner material	galvanized steel leakproof
Width	470 mm
Depth	320 mm
Height	875 mm
Weight	39,0 kg
Slot size	260 x 120 mm
Accessories / Options	see FEATURES

## KENDO

### Hanging bin 65111



**Description:** Self-supporting, curved, powder-coated galvanized steel outer walls, connected to stable flat side panels. Reinforced door with welded hinges. Two door retention profiles prevent overstretching of the hinges. Doubled cover construction with welded insertion-plates that guide waste into the galvanized inner liner. The inner liner or drip tray is sealed. A U-shaped profile on the back and underneath, for universal attachment to round and square posts, increases stability.

**Safety:** A special type of surface sealing, which is hardened in the oven at 200 degrees Celsius, offers dirt hardly any surface to attack. Graffiti - even with waterproof markers - can be wiped away without the need for harsh cleaning agents. Undesirable stickers can easily be removed.

**Handling:** Use the square key to operate (1/4 turn) the embedded snap lock and open the door. Pull out the inner liner. The contents are now visible and the waste bag can be replaced as required. The snap lock allows the door to be closed and locked without a key.