



## CAPITAL

### Floor-standing bin 60231

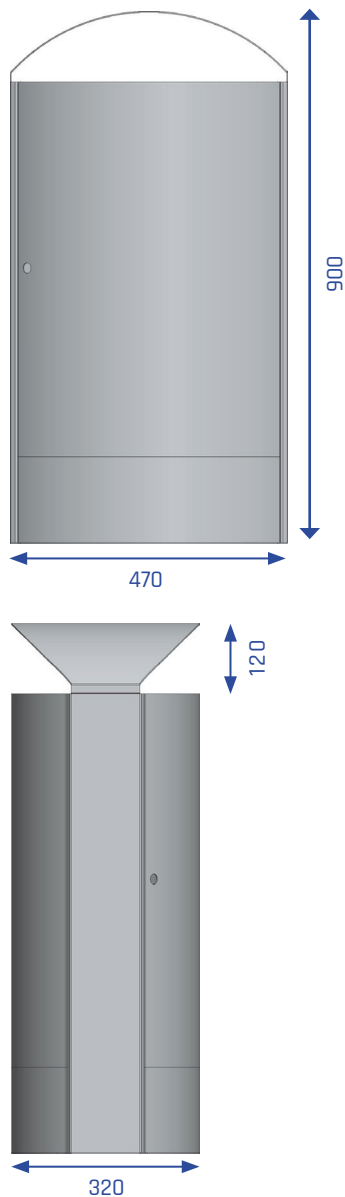
Volume	50 Liter
Compartments	1
Casing material	1.4301 (AISI 304) stainless steel, brushed
Casing material thickness	2,0 mm 2,0 mm (cover)
Inner liner material	galvanized steel
Width	470 mm
Depth	320 mm
Height	900 mm
Weight	31,0 kg
Slot size	260 x 120 mm
Accessories / Options	see FEATURES

AUWEKO GmbH · Dornhofstraße 34 · 63263 Neu-Isenburg  
Telefon: +49 6102 37537-0 · Fax: +49 6102 37537-100 · Email: [vertrieb@auweko.de](mailto:vertrieb@auweko.de) · Website: [www.auweko.de](http://www.auweko.de)

Copyright declaration:  
All sketches, drawings and electronic information are the property of AUWEKO GmbH in Neu-Isenburg. The use of these documents, hard copies or information is permitted for internal purposes only. Forwarding to third parties is not authorised. Subject to technical alteration. © AUWEKO GmbH, 63263 Neu-Isenburg

## CAPITAL

### Floor-standing bin 60231



**Description:** Self-supporting, curved stainless steel outer walls, connected to stable flat side panels. Curved door with recessed lock (a key is supplied with each container). The door retention profile prevents the hinges from overstretching. A curved cover is firmly connected to the structure. The shape of the cover results in reduced height from two sides. A sturdy insertion ring guides waste into the inner liner.

**Safety:** The curved cover serves as rain protection without providing a storage area. At the same time, the opening is reduced, which minimizes the disposal of household refuse bags. Snap locks protect the bins against unauthorized access.

**Handling:** Use the square key to operate (1/4 turn) the embedded snap lock and open the door. Pull out / lift out inner liner. The contents are now visible and the waste bag can be replaced as required. The snap lock allows the door to be closed and locked without a key.

**Cleaning:** The brushed stainless steel surface makes the boxes easy to clean and maintain. Commercial care products for stainless steel grade 1.4301 are sufficient.

AUWEKO GmbH • Dornhofstraße 34 • 63263 Neu-Isenburg

Telefon: +49 6102 37537-0 • Fax: +49 6102 37537-100 • Email: [vertrieb@auweko.de](mailto:vertrieb@auweko.de) • Website: [www.auweko.de](http://www.auweko.de)

Copyright declaration:

All sketches, drawings and electronic information are the property of AUWEKO GmbH in Neu-Isenburg. The use of these documents, hard copies or information is permitted for internal purposes only. Forwarding to third parties is not authorised. Subject to technical alteration. © AUWEKO GmbH, 63263 Neu-Isenburg