



ORIGINAL

Recycling bin with Information panels R2

Volume	50 / 50 Liter
Compartments	2
Casing material	1.4301 (AISI 304) stainless steel, brushed
Casing material thickness	1,5 mm 1,5 mm (Backside)
Backside material	galvanized steel
Inner liner material	galvanized steel leakproof
Information panel	polyethylene sheet (1 mm) transparent 519 x 603 mm
Width	1030 mm
Depth	390 mm
Height	1050 mm
Weight	40,0 kg
Slot size	see FEATURES
Accessoires / Options	see FEATURES

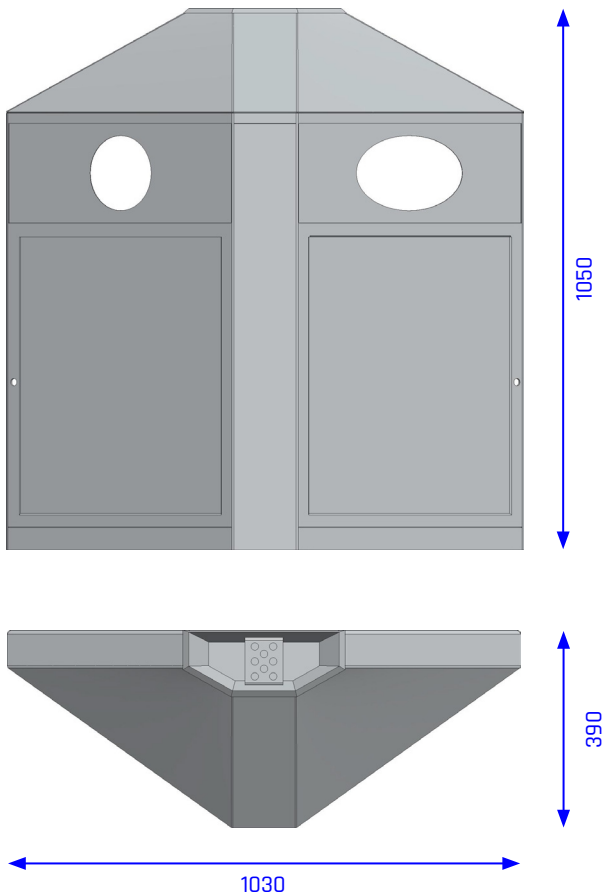
AUWEKO GmbH · Dornhofstraße 34 · 63263 Neu-Isenburg
Telefon: +49 6103 804955-0 · Fax: +49 6103 804955-10 · Email: vertrieb@auweko.de · Website: www.auweko.de

Copyright declaration:

All sketches, drawings and electronic information are the property of AUWEKO GmbH in Neu-Isenburg. The use of these documents, hard copies or information is permitted for internal purposes only. Forwarding to third parties is not authorised. Subject to technical alteration. © AUWEKO GmbH, 63263 Neu-Isenburg

ORIGINAL

Recycling bin with Information panels R2



Description: Well visible outer walls made of stainless steel. Front openings, suitable for unprotected/ outdoor areas. All doors contain transparent plastic panels for individual design or the option to use and them as advertising space. An integrated, theft-proof ashtray or flat cover on the top is a standard equipment.

Safety: The ashtray is secured or covered by a snap mechanism.

Handling: The galvanized inner liners swing out wide when the doors are opened. The waste bags can now easily be changed. The snap lock allows the door to be closed and locked without a key.

Handling of the information panels: Open the door and unscrew the Phillips screws in the upper frame on the lock side. The frame can now be opened and posters can be exchanged.