



ORIGINAL

Recycling bin BS1-BS3

Volume	80 or 30 / 30 / 30 Liter
Compartments	1 or 3
Casing material	1.4301 (AISI 304) stainless steel, brushed
Casing material thickness	1,5 mm
Inner liner material	galvanized steel
Width	680 mm
Depth	600 mm
Height	1070 mm
Weight	approx. 5,0 kg
Slot size	see FEATURES
Accessoires / Options	see FEATURES

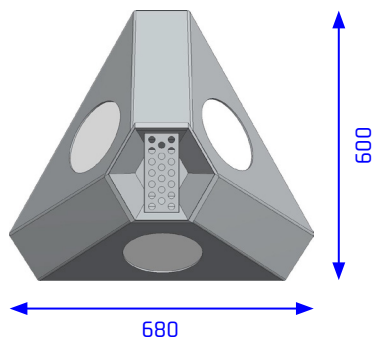
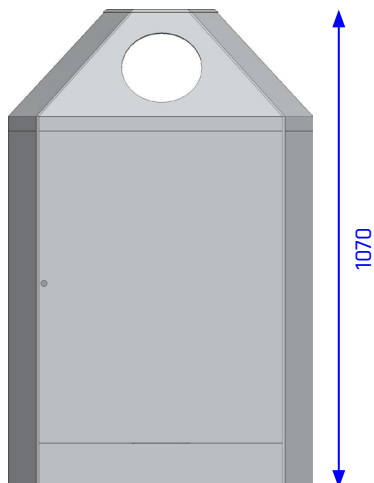
Copyright declaration:

All sketches, drawings and electronic information are the property of AUWEKO GmbH in Neu-Isenburg. The use of these documents, hard copies or information is permitted for internal purposes only. Forwarding to third parties is not authorised. Subject to technical alteration. © AUWEKO GmbH, 63263 Neu-Isenburg

ORIGINAL

Recycling bin

BS1-BS3



Description: Well visible outer walls made of stainless steel. Upward facing openings, designed for covered areas. An integrated, theft-proof ashtray or flat cover on the top is a standard equipment.

Safety: The ashtray is secured or covered by a snap mechanism.

Handling: The galvanized inner liners swing out wide when the doors are opened. The waste bags can now easily be changed. The snap lock allows the door to be closed and locked without a key. For the 80 L version the inner liner is simply pulled out forward.