



ORIGINAL

Recycling bin with Information panels B4

Volume	50 / 50 / 50 / 50 Liter
Compartments	4
Casing material	1.4301 (AISI 304) stainless steel, brushed
Casing material thickness	1,5 mm
Inner liner material	galvanized steel
Information panel	polyethylene sheet (1 mm) transparent 519 x 583 mm
Width	1030 mm
Depth	780 mm
Height	1050 mm
Weight	66,6 kg
Slot size	see FEATURES
Accessoires / Options	see FEATURES

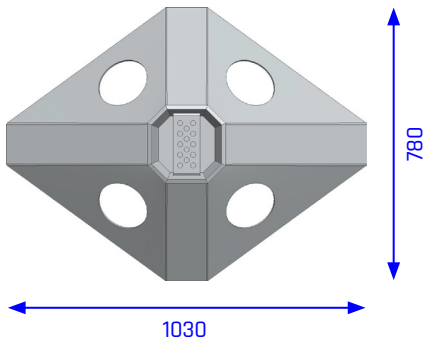
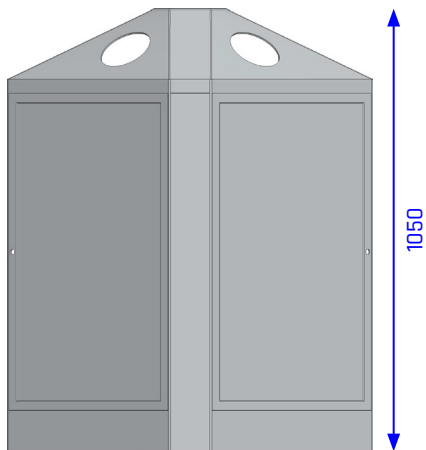
Copyright declaration:

All sketches, drawings and electronic information are the property of AUWEKO GmbH in Neu-Isenburg. The use of these documents, hard copies or information is permitted for internal purposes only. Forwarding to third parties is not authorised. Subject to technical alteration. © AUWEKO GmbH, 63263 Neu-Isenburg

ORIGINAL

Recycling bin with Information panels

B4



Description: Well visible outer walls made of stainless steel. Upward facing openings, designed for covered areas. All doors contain transparent plastic panels for individual design or the option to use and them as advertising space. An integrated, theft-proof ashtray or flat cover on the top is a standard equipment.

Safety: The ashtray is secured or covered by a snap mechanism.

Handling: The galvanized inner liners swing out wide when the doors are opened. The waste bags can now easily be changed. The snap lock allows the door to be closed and locked without a key.

Handling of the information panels: Open the door and unscrew the Phillips screws in the upper frame on the lock side. The frame can now be opened and posters can be exchanged.